

## SOLAR GUARDIAN STAINLESS STEEL WALL LANTERN

### Product Features

- Exterior wall light with solar power technology
- Stainless steel constructed body
- Product illuminates only when required with PIR/ photocell
- Perfect for external residential applications with no mains power, no wiring required

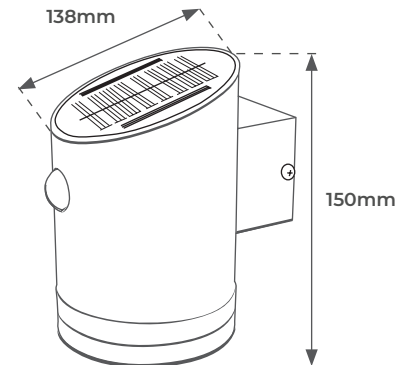


NO WIRING REQUIRED  
ZERO ELECTRICITY COST



CAT NO.	LUMINAIRE LUMENS
LEXDSLIS40P	100

Product Drawing



CAT NO.	WEIGHT (kg)	WATTAGE	CRI	IK RATING	BATTERY TYPE	BATTERY CAPACITY	TEMP RANGE (°C)	AMBIENT TEMP RATED LIFE (°C)
LEXDSLIS40P	0.58	2	>80	IK04	Ni-Mh 3x1.2V AAA	900mAh	0 - +25	25

STANDARD	DESCRIPTION
EN 60598-1	Luminaires – General requirements
EN 60598-2-1	Luminaires – Fixed general purpose
EN 61000-3-2	Electromagnetic compatibility (EMC) – Part 3-2: Limits - for harmonic current emissions
EN 61000-3-3	Limits - Limitation of voltage changes, voltage fluctuations and flicker in public low-voltage supply systems, for equipment with rated current ≤ 16 A per phase and not subject to conditional connection
EN 61547	Equipment for general lighting purposes – EMC immunity requirements
EN 55015	Limits and methods of measurement of radio disturbance characteristics of electrical lighting and similar equipment

**LUCECO**

This luminaire contains built-in LED lamps.

**A++**  
**A+**  
**A**  
**B**  
**C**  
**D**  
**E**

} LED

The lamps cannot be changed in the luminaire.

874/2012

