

TITAN 2.0 HIGHBAY

Product Features

- Dust and weatherproof rated highbay with wide optical lens as standard
- Die-cast aluminium housing with choice of 120, 90 or 60 degree polycarbonate lens
- Suspended mounting via eye bolt hook supplied
- Supplied with pre-wired weatherproof IP65 electrical connector and 0.3m of rubber cable
- High output emergency of over 900 lumens



CAT NO.	OPTICAL DISTRIBUTION	LUMINAIRE LUMENS	WATTAGE	EFFICACY Llm/W
LHBT27B15S12040	120°	14500	100W	145
LHBT27B15S9040	90°	14500	100W	145
LHBT27B15S6040	60°	14500	100W	145
LHBT27B22S12040	120°	22000	150W	147
LHBT27B22S9040	90°	22000	150W	147
LHBT27B22S6040	60°	22000	150W	147
LHBT33B29S12040	120°	29000	200W	145
LHBT33B29S9040	90°	29000	200W	145
LHBT33B29S6040	60°	29000	200W	145

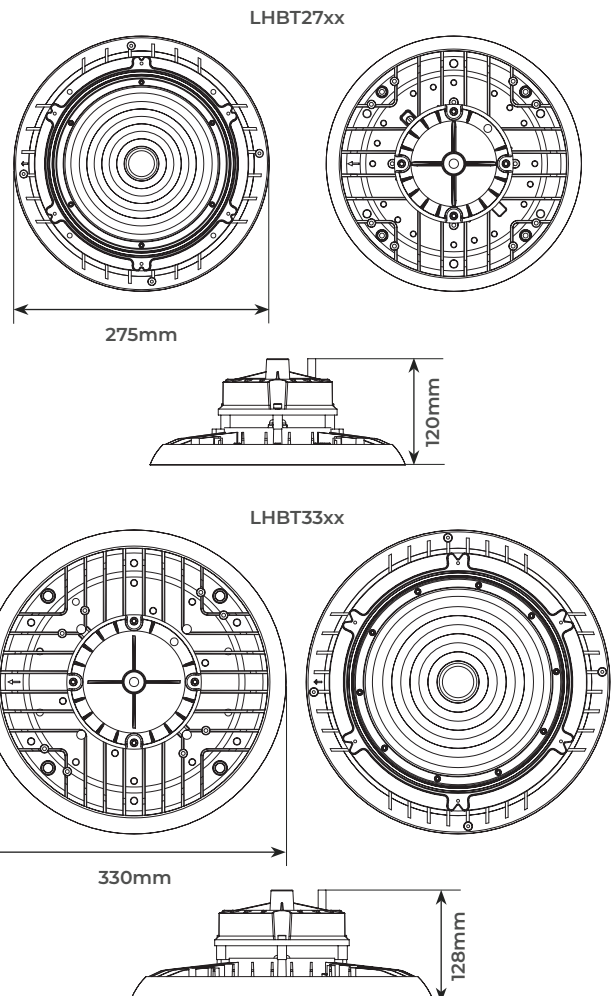
To Specify:

IP65 rated highbay with die-cast aluminium housing, prewired with rubber cable, choice of polycarbonate lenses and Llm/W up to 147.

Product Options

DESCRIPTION	CAT NO.
3Hr Emergency	Insert E, eg. LHBT33B29E12040
5000K CCT	Speak to Luceco Sales Manager

Product Drawing



CAT NO.	WEIGHT (kg)	CRI	FREQUENCY (Hz)	UGR	IK RATING	TEMP RANGE (°C)	AMBIENT TEMP RATED LIFE (°C)	L/B RATED LIFE
LHBT27B15S12040	1.74	≥80	50-60	<31	IK06	-25 to +40°C	25°C	L70/B50
LHBT27B15S9040	1.74	≥80	50-60	<27	IK06	-25 to +40°C	25°C	L70/B50
LHBT27B15S9040	1.74	≥80	50-60	<25	IK06	-25 to +40°C	25°C	L70/B50
LHBT27B22S12040	1.74	≥80	50-60	<32	IK06	-25 to +40°C	25°C	L70/B50
LHBT27B22S9040	1.74	≥80	50-60	<28	IK06	-25 to +40°C	25°C	L70/B50
LHBT27B22S6040	1.74	≥80	50-60	<26	IK06	-25 to +40°C	25°C	L70/B50
LHBT33B29S12040	2.43	≥80	50-60	<32	IK06	-25 to +40°C	25°C	L70/B50
LHBT33B29S9040	2.43	≥80	50-60	<28	IK06	-25 to +40°C	25°C	L70/B50
LHBT33B29S6040	2.43	≥80	50-60	<26	IK06	-25 to +40°C	25°C	L70/B50

LHBT27B22S6040
Luminaire Performance

Light Output Ratio: 100%
Luminaire Efficacy: 146.67 lm/W
Light Distribution: A60 +99.6% +0.4%
CIE Flux Codes: 77 95 99 100 99
UGR 4H 8H (20%, 50%, 70%) C0 / C90: 26.1 / 26.1

Luminous Intensity

Legend: ■ C0 / C180 cd / 100lm c90 / c270

LHBT27B22S9040
Luminaire Performance

Light Output Ratio: 93.98%
Luminaire Efficacy: 137.85 lm/W
Light Distribution: A50 +99.5% +0.5%
CIE Flux Codes: 65 94 99 100 94
UGR 4H 8H (20%, 50%, 70%) C0 / C90: 28.1 / 28.1

Luminous Intensity

Legend: ■ C0 / C180 cd / 100lm c90 / c270

LHBT27B22S12040
Luminaire Performance

Light Output Ratio: 97.47%
Luminaire Efficacy: 142.97 lm/W
Light Distribution: A40 +99.4% +0.6%
CIE Flux Codes: 51 85 98 99 97
UGR 4H 8H (20%, 50%, 70%) C0 / C90: 31.8 / 31.8

Luminous Intensity

Legend: ■ C0 / C180 cd / 100lm c90 / c270

STANDARD	DESCRIPTION
60598-1	Luminaires – General requirements
60598-2-1	Luminaires – Part 2-1: Particular requirements – Fixed general purpose luminaires
60598-2-22	Luminaires – Emergency
61000-3-2	Electromagnetic compatibility (EMC) – Part 3-2: Limits – for harmonic current emissions
61000-3-3	Lamp controlgear – Part 1: General and safety requirements
61547	Equipment for general lighting purposes – EMC immunity requirements
55015	Limits and methods of measurement of radio disturbance characteristics of electrical lighting and similar equipment

